

RKVM-1716 17" TFT LCD 1U Rackmount KVM Switch 16 Ports



Feature

- ▶ 17" TFT LCD 1280 x 1024
- ▶ Built-in A/D Board
- ▶ Support 16 Ports KVM Switch
- ▶ Membrane keyboard in 104keys, with touch pad
- ▶ Auto scan mode for monitoring PCs
- ▶ Built-in rail self-locking device
- ▶ **RoHS Compliance**

Specifications:

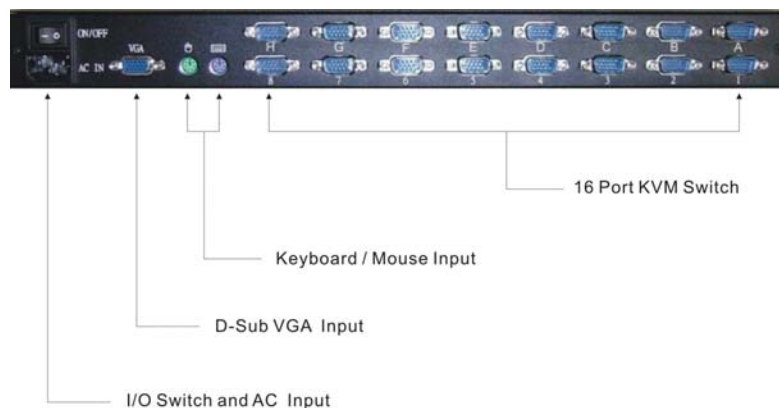
> LCD Size	17" TFT LCD
> Max.Resolution	1280 x 1024
> Brightness	300cd/m ²
> LCD Color	16.2M
> Pixel Pitch	0.264 x 0.264mm
> Contrast Ratio	500:1(Typ.)
> LCD MTBF	40,000hrs
> KVM Switch	16 Port
> Keyboard / Touch Pad	104 Keys windows compliant keyboard, built-in touch pad
> Power Supply	AC 100 ~ 240, 50 ~ 60Hz, 12V / 3.7A

Mechanical & Environment:

> Construction Chassis	Light-Weight Aluminum Alloy Chassis
> Color	Black
> Dimensions(W x H x D)	484 x 44 x 650mm
> Weight(N.W./G.W.)	13.9 kg (N.W.) / 26.4 kg (G.W.)
> Shipping Dimensions	82.2 x 59.8 x 22.2 mm
> Operating Temperature	0-50°C
> Storage Temperature	-20-60°C

Ordering Information:

RKVM-1716RS	17" TFT LCD Industrial 1U Rackmount 16 Ports KVM Switch with touch pad
--------------------	--



* The specification and pictures are subject to change without notice.

* All trademarks and logos are the properties of their respective holders.